

Magnetic Locators

Simply the best

- Unmatched sensitivity allows you to find what you're looking for quickly, without the risk of passing over your target.
- Our locators last 100% to 250% longer than others making your investment a solid one.
- 85% of the Surveyor market can't be wrong.



GA-72Cd

GA-52Cx

**- NEW -
EXPANDED
WARRANTIES**

7 - Years on GA-52Cx
5 - Years on GA-72Cd



SCHONSTEDT INSTRUMENT COMPANY

GA-52Cx and GA-72Cd Underground Locators...

Easy-To-Use

The GA-52Cx and GA-72Cd Locators detect the magnetic field of iron and steel objects and energized power lines. Both provide audio detection signals that peak in frequency when the locator's tip is held directly over the target.

The GA-72Cd also has easy-to-read digital and bar graph displays signal strength and polarity. Once you have located a target using the audio signal, the digital readout and polarity indicators will help you to visually pinpoint the target and, in some instances, even determine its orientation.

Signal Strength and Polarity Indications

The GA-72Cd's audio signal and the 3-digit LCD readout will peak, and the (+) or (-) bar graph will expand to full scale when its tip is directly over a vertical iron pipe. One end of a horizontal target will be (+) and the other will be (-). This difference is very significant because it helps you to distinguish between vertical and horizontal pipes.

No. 1 Around the World in Performance and Reliability.

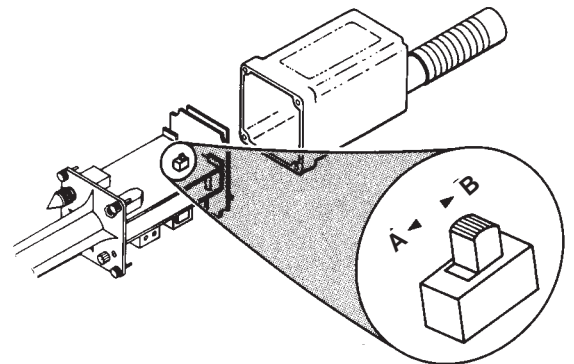
Only Two Controls

Designed for one-hand operations, the On/Off-Sensitivity and Volume controls are located on the underside of the cover on both locators. This provides easy access, protects the knobs and contributes to their overall ruggedness and dependability.

You can select any one of four sensitivity settings. The GA-72Cd's LCD bar graphs show the selected gain and the battery status. The GA-72Cd's headset jack can be connected to your data logger using a standard stereo audio plug.

Choice of Two Audio Modes

The GA-72Cd is configured initially to provide an audio signal that is always present (Audio Output switch set to "B"). If you do not want to hear a signal until the locator is within the detection range of a target, you can set the Audio Output Switch to "A".



Location of Audio Output Switch

Several Hundred Dealers.

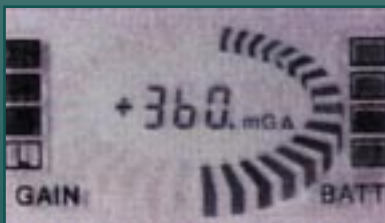
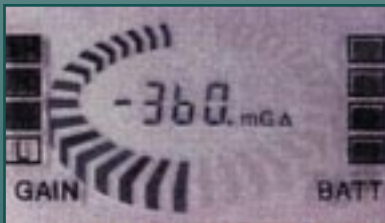
Superior Customer Support

Our customer support department has always been set up to ensure prompt response and 100% satisfaction. We have a network of several hundred dealers located throughout the U.S. and around the world to provide personal attention and prompt delivery.

Most Schonstedt locators returned to the factory for repair will be completely refurbished. Not only will it look like new, it will operate within its original specifications. Most locators are returned to their owners within two working days.

Quality Is Our Hallmark

Schonstedt's underground magnetic locators have been setting the standards for reliability and dependability for over 30 years. They are designed to withstand the rigors of daily on-site usage and a wide range of environmental conditions. In fact, the Model GA-52Cx is so rugged and dependable it's backed by a 7-year warranty.



State-Of-The-Art Features

GA-72Cd

- Digital readout and expanding bar graph displays signal strength and polarity
- 4 Sensitivity settings: Low, Medium, High, and extra High
- Piezoelectric speaker
- Analog output for data logger entry
- 60-Hours operational life (intermittent usage) on 2 lithium 9-volt batteries
- First locator to use Environmentally Friendly and Safe, lithium batteries. The unit is shipped with two 9-volt lithium batteries installed, and a spare set of batteries stored in the case. Lithium batteries provide twice the life of alkalines, and have a 10-year shelf life.
- 4-Segment BATT LCD monitors battery charge
- Lightweight, easy-to-use-design reduces search time
- Modular construction; high performance components
- Patented HeliFlux[®] sensors
- No response to aluminum, brass, or copper

GA-52Cx

- Enhanced target definition
- Unsurpassed detection range
- Piezoelectric speaker
- Clear, sharp, detection signal pinpoints the target
- Five individual sensitivity settings
- No response to aluminum, brass, or copper
- Ease of operation reduces search time
- With experience, user can distinguish between small pieces of scrap iron and actual targets
- 40-hours operation (intermittent usage) on two economical 9-volt batteries
- Modular construction
- High performance components
- Weights approximately 2 1/2 pounds
- Weather protected controls
- Rugged lightweight carrying case
- Patented HeliFlux[®] sensors

7-Year Warranty



5-Year Warranty



Both Models are standard with a custom case designed to withstand the rigors of field use.

Model GA-52Cx Specifications

Input Power	Two alkaline 9-volt batteries
Battery Life	40 hours (intermittent usage)
Output	Approximately 40 Hz audio tone on speaker. Tone frequency increases or decreases with gradient-field intensity.
Weight	Approximately 2.5lb. (1.13 kg)
Operating Temp.	-13° to 140°F (-25° to 60°C)
Overall Length	42.3 in. (107.4 cm)
Waterproof Length	34.5 in. (87.6 cm)
Nominal Sensor Spacing	20 in. (50.8 cm)
Construction	Modular, all solid state

Model GA-72Cd Specifications

Output	
Audio	
Switch at "A"	Signal increases or decreases in volume with gradient-field intensity
Switch at "B"	Signal increases or decreases in frequency with gradient-field intensity.
Visual	Digital readout and expanding bar graphs indicate polarity (+ or-) and relative strength of the magnetic field.
Battery Life	60 Hours (intermittent usage)
Input Power	Two lithium 9-volt batteries
Battery Check	4-segment LCD BATT indicator
Weight	Approximately 2.5 lb. (1.14 kg)
Operating Temp.	-13° to 140°F (-25° to 60°C)
Overall Length	34.5 in. (87.6 cm)
Waterproof Length	21 in. (53.3 cm)
Nominal Sensor Spacing	14 in. (35.6 cm)
Construction	Modular, all solid state

Premier Manufacturer of Flux-Gate Magnetometers for nearly half a century

"I am an absolute fan of the Schonstedt. I try to get every surveyor I know to buy one. Mine has given me absolute stellar performance. I only wish all of the instruments and products I have purchased through the years for surveying actually lived up to my needs and expectations the way the Schonstedt does. Thanks again for a fine product, and for great customer service to boot!"

- Arthur F. Seifert, Jr. P.L.S., Bell-Atlantic

Authorized Dealer

 **SCHONSTEDT INSTRUMENT COMPANY**

4 Edmond Road • Kearneysville, WV 25430

800-999-8280 • 304-725-1050 • Fax: 304-725-1095

Internet: www.schonstedt.com • E-Mail: info@schonstedt.com